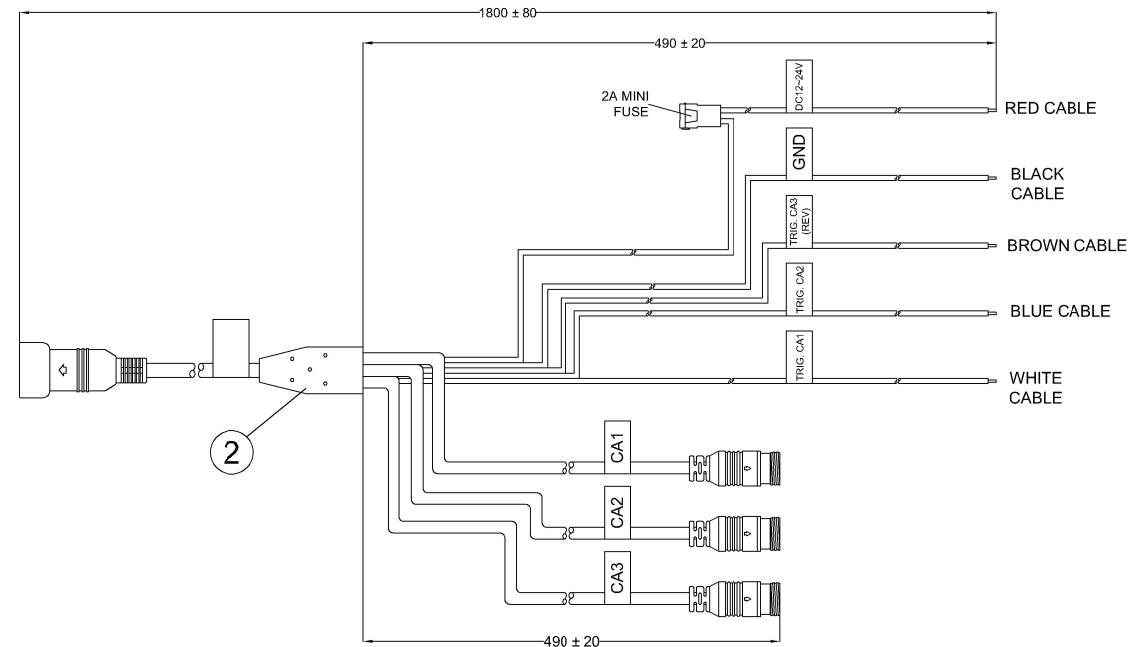
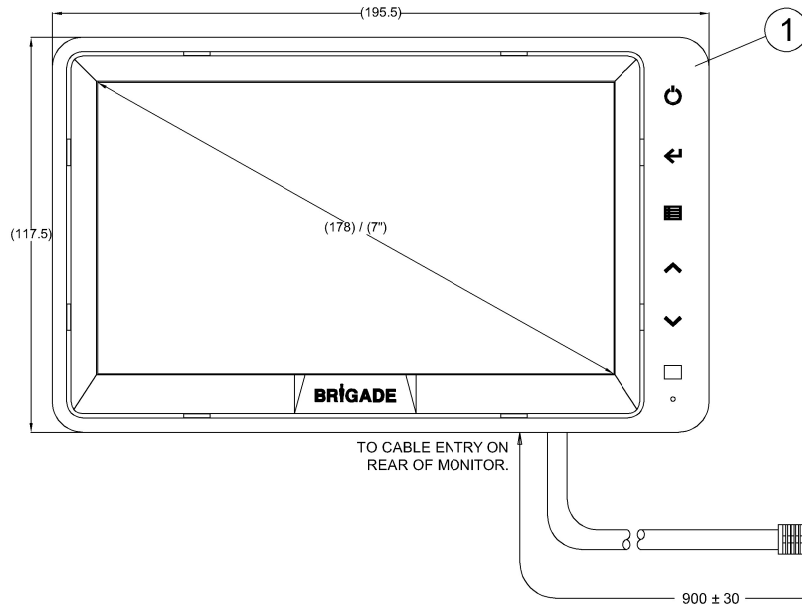


Revision Notes.

R1 - Part no. of IG updated in table as per CR-A970.

APA: W. XIA Drawn: S. GOVENDER Checked: L. CHEUNG Approved: A. KEBEDE Date: 21/11/22

ITEM	PART NO.	QTY	MODEL / DESCRIPTION
①	5612A	1	VBV-770HM-M MONITOR
②	3176B	1	VBV-7X0M-CA CABLE ADAPTER
③	4523	1	VBV-770M-SS SUNSHIELD (NOT SHOWN)
④	3148A	1	BMM-015 VBV MONITOR BRACKET (SHORT) (NOT SHOWN)
⑤	5613A	1	VBV-770HM-IG INSTALLATION GUIDE (NOT SHOWN)



NOTES:

- REFER TO COMPONENT DRAWINGS FOR COMPONENT DETAIL.
- FOR LABELING AND PACKAGING DETAIL REFER TO MASTER BOM.

PROPRIETARY NOTICE

THIS DESIGN AND TECHNICAL INFORMATION APPEARING ON THIS DRAWING IS THE PROPERTY OF BRIGADE ELECTRONICS, AND IS DISCLOSED IN CONFIDENCE. IT IS NOT TO BE COPIED, REPRODUCED, REVEALED TO OR EXPROPRIATED BY OTHERS, EITHER IN WHOLE OR IN PART WITHOUT THE EXPRESS WRITTEN CONSENT OF BRIGADE ELECTRONICS.

BRIGADE
www.brigade-electronics.com

Assembly Pl Approval Y. ZHANG	Approved by A. KEBEDE	Checked by L. CHEUNG	Drawn by S. GOVENDER
Angle of Projection Third Angle	Units mm	Scale N/A	Released 06/07/22
	Status RELEASED	VBV-770HM	
	Part No 5611A	BE-004712-01-22	